



Spanish (Spain)



Russian (MS)



Turkish Q



French (France)

8、 URL Link Setting



Disable QR Code URL Link output
(Default)



Enable QR Code URL Link output

9、 Troubleshooting

Serial number	Problem	Possible causes	Solution
1	Correctly install interface data cable, but not start	Scanner no power	Make sure the host is powered on and on. When using the USB interface, please connect the USB to the USB interface of the host computer. Do not use the extended USB interface and other USB extension lines.
		Incorrect connection of interface data cable	Please check if the data cable connection is plugged in.
2	There are supplementary lights, but barcode cannot be read	This type of barcode symbology is not open	Enable the code symbology by reading the settings code
		Barcode damage	Please try to scan other barcodes with the same barcode type
		The distance between scanner and bar code is not appropriate	Please move the bar code nearer or farther
		Scanner height is not enough to cover barcode completely	Align bar code to read code after reading
3	Data displayed incorrectly on the host after scanning	Input method error	Converting input method into standard english input method
		Other settings for the scanner	Restore scanner parameters to factory settings or contact vendor service centers

4	Bar code character scrambling or error	The keyboard layout setting of the scanner does not correspond to the country in which the keyboard is used	Set the keyboard layout setting of the scanner correspond to the country in which the keyboard is used
5	Other cases cannot be decoded	Equipment transfer error	Turn off the power supply of the equipment, connect the equipment and scanner correctly, turn on the power supply of the equipment, restore the parameters of the scanner platform to the factory setting state and re-scan the code.

10、 Simple Maintenance Method

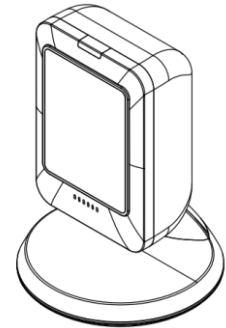
- (1) The stains and dust on the scanning window sometimes affect the work of the scanner. When cleaning, alcohol or glasses cloth can be used to gently wipe, and then blow clean.
- (2) The scanner shell can be wiped with a clean soft cloth, and a small amount of detergent can be added to the water, and then wiped with soft bousu water.

Special declaration: This instruction has been strictly and carefully checked and examined, but it still does not exclude the omissions and errors in spelling and technology; such omissions and errors will be amended in the new version of the instruction without notice; the copyright of this instruction is owned by the company, and no other units or individuals may modify it.

2connect

TECHNOLOGY FOR YOU

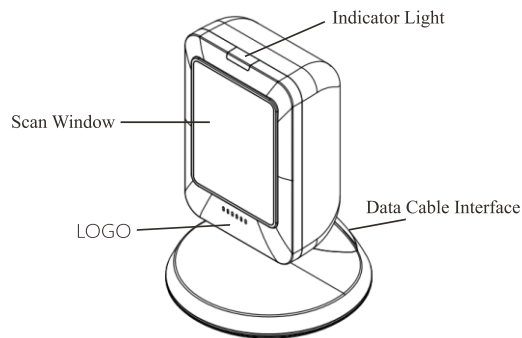
2C-MP6300-2D



2D DESKTOP SCANNER
QUICK REFERENCE GUIDE

Respected Users: Thank you for choosing our products. Our company insists on independent research and development for a long time. We will provide you with high quality products and intimate services. In order to make better use of this product, please read this manual carefully before using it.

1、 Product Component Description



2、 Packing List

One scanner, one data cable, one instruction book, in line with the principle of simplicity and ease of use, all settings barcodes of products are not all placed in the instruction book. If you need a detailed settings manual in the use process, please contact us.

3、 Data Cable Pull And Plug

Terminal Communication Interface:



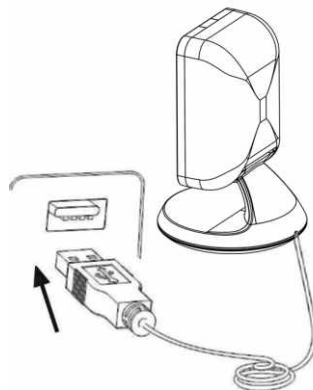
Host USB Interface



Host RS-232 Interface

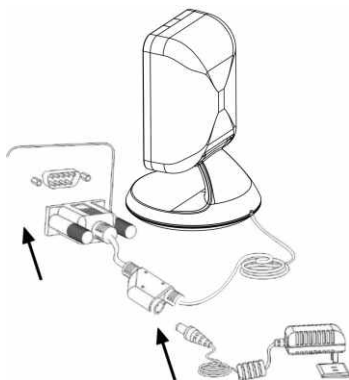
USB Data Cable Connection Diagram:

- 1、 Connect the RJ45 interface of the USB cable to the scanner ;
- 2、 Connect the USB interface of the USB cable to the host.



RS-232 Data Cable Connection Diagram:

- 1、 Connect the RJ45 interface of the RS-232 cable to the scanner;
- 2、 Connect the RS-232 interface of the RS-232 cable to the host;
- 3、 Connect the RS-232 cable to power adapter.



4、 Basic Settings



Restore factory settings

Note: Restore default settings without changing product interface settings. For example, when the product with USB state is restored to its default setting, it will still be set for USB interface and will not be changed to other interface settings.

5、 Communication Interface Settings



USB keyboard (Default)



USB MAC keyboard



USB to serial port
Configure the scanner to USB to serial mode
(Need to install driver, please contact the vendor)



Serial port
Scanner configuration in serial mode

6、 Inverse Code Option(Only 1D/DataMatrix/Aztec)



Only decode normal code(Default)



Only decode inverse code



Decode both normal code and inverse code

7、 Country Keyboard Types

Country keyboard options apply to the USB interfaces only.
Refer to the Product Reference Guide for the full selection of Country Codes



English (United States)



German (Germany)